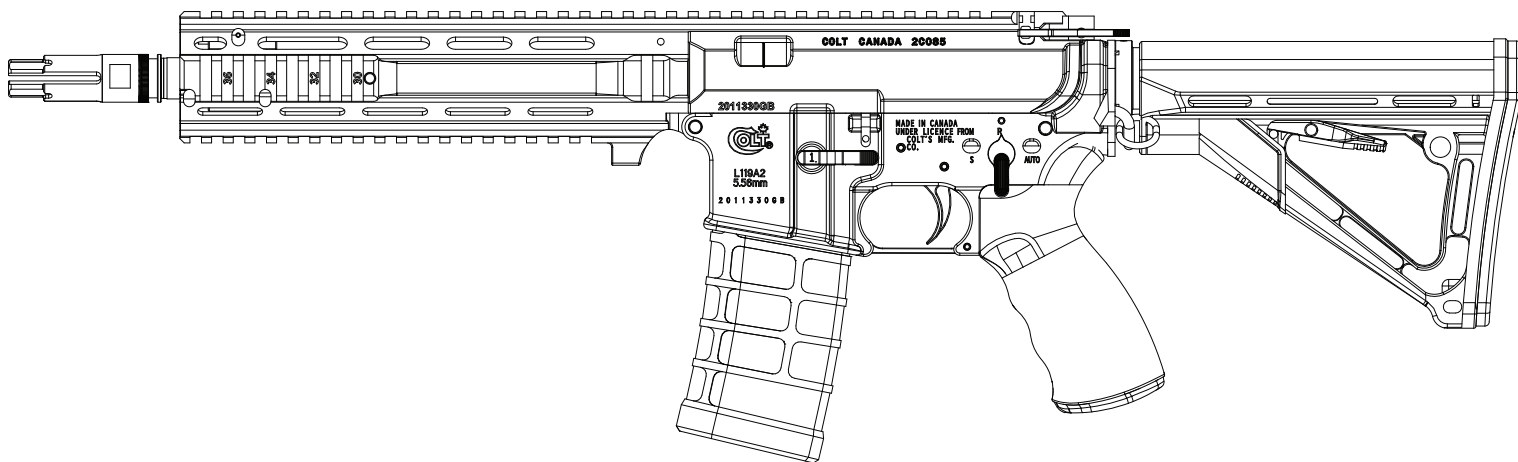




# L119A2 UK SPECIAL AIR SERVICE RIFLE



MFG  
BY:



**OPERATOR'S MANUAL  
READ BEFORE USE**

UNDER  
LICENSE  
FROM:



**CYBERGUN**

# L119A2 MWS GAS BLOW BACK RIFLE

## **ATTN: CUSTOMS & LAW ENFORCEMENT AGENTS**

This model is an Airsoft Toy Rifle of a Colt Canada L119A2 Service Rifle, licensed from Colt's Manufacturing, sub-licensed through Cybergun (France) and manufactured by Archwick (Taiwan) & EMG (USA). The COLT® Logo is used under expressed agreement as specified by the original firearms manufacturer and its intellectual properties licensee.

This is a GAS POWERED Airsoft Rifle, Caliber 6mm. This model is NOT a firearm, nor contains any real firearm parts. It can NOT be modified in any manner to fire a real bullet.

This model is factory rated to shoot a 0.2g 6mm BB at no more than 120m/s when measured at room temperature (25 Degrees Celcius). This equates to <1.5J of Energy.

## **CONTENTS:**

- 1 x MONOLITHIC 6061 T6 CNC ALUMINUM UPPER RECEIVER
- 1 x CNC 7075 T7ALUMINUM LOWER RECEIVER
- 1 x STEEL OUTER BARREL
- 1 x CNC 6061 T6 HOP UP BODY
- 1 x STEEL MUZZLE BRAKE WITH 14mm NEG. THREAD
- 1 x RUBBERIZED GRIP SET
- 1 x STEEL OUTER BARREL INSTALLATION / REMOVAL TOOL
- 1 x HEAT SHIELD INSTALLATION TOOL
- 1 x CNC Aluminum Hop Up unit
- 1 x TOOL SET
- 1 x HARD SHELL CARRYING CASE
- 1 x OPERATOR'S MANUAL
- 1 x SERIALIZED COLT CANADA LICENSING CARD
- 1 x Guns Modify TM MWS internal upgrade set

# INSTRUCTIONS

Please refer to the OFFICIAL ARCHWICK YOUTUBE channel for a step by step set up / usage video.



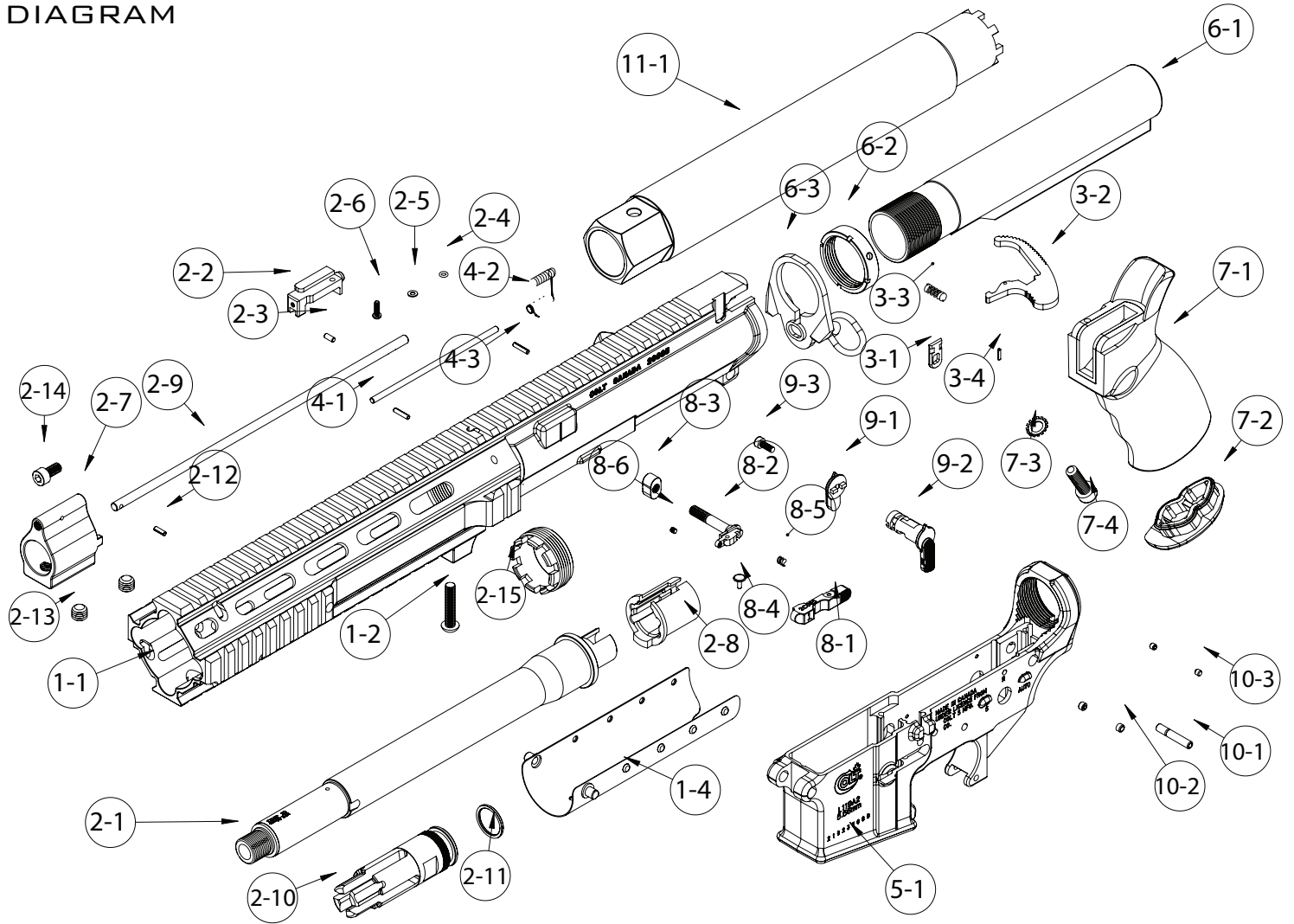
ARCHWICK YOUTUBE CHANNEL URL



**MORE PRODUCT  
INFO:**



PARTS  
DIAGRAM



REPLACEMENT  
PARTS

**IF replacement parts are needed, please contact your authorized ARCHWICK vendor or distributor for assistance. When ordering, please refer to the parts number in the parts diagram above.**